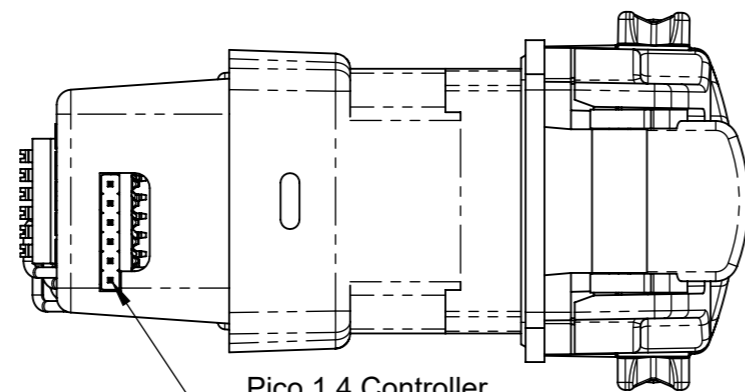
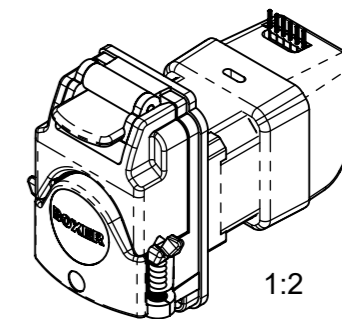
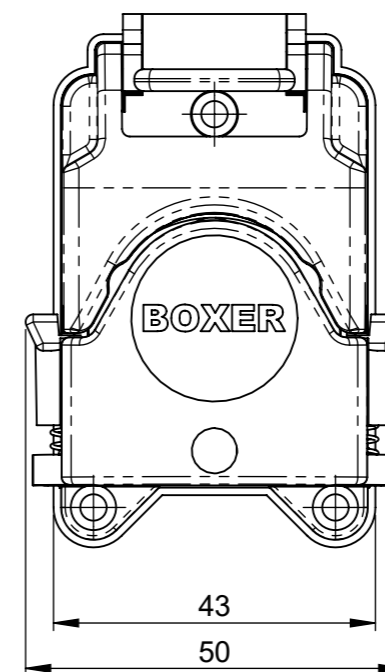
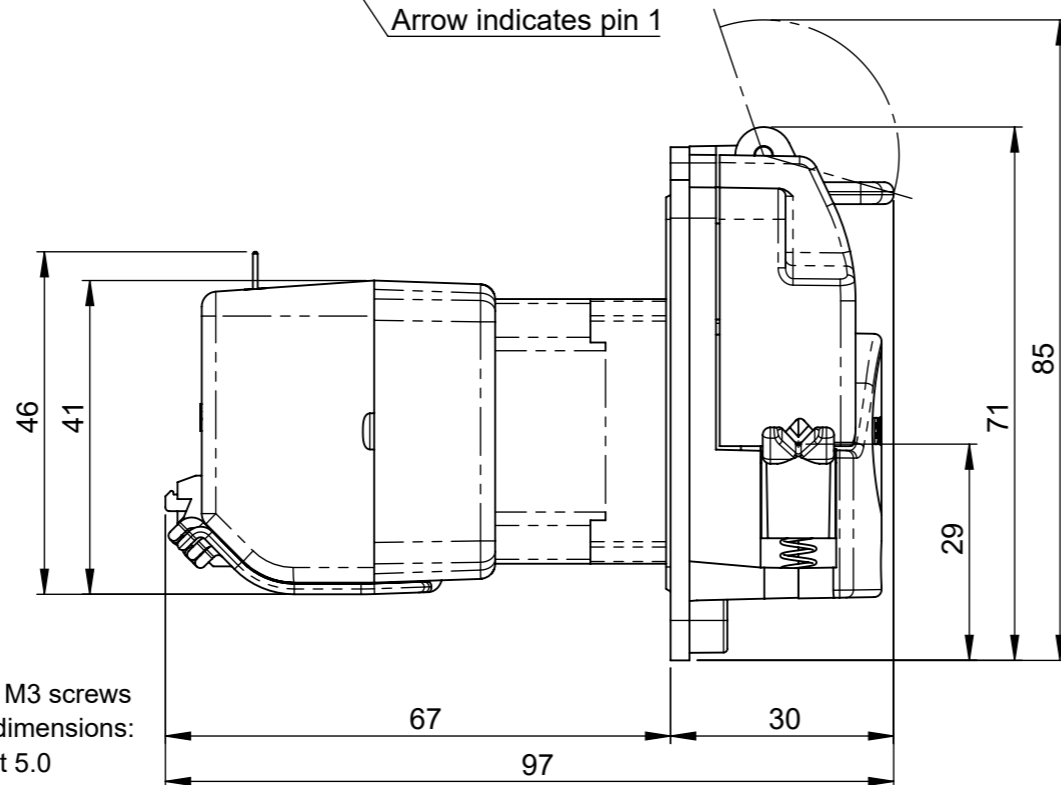
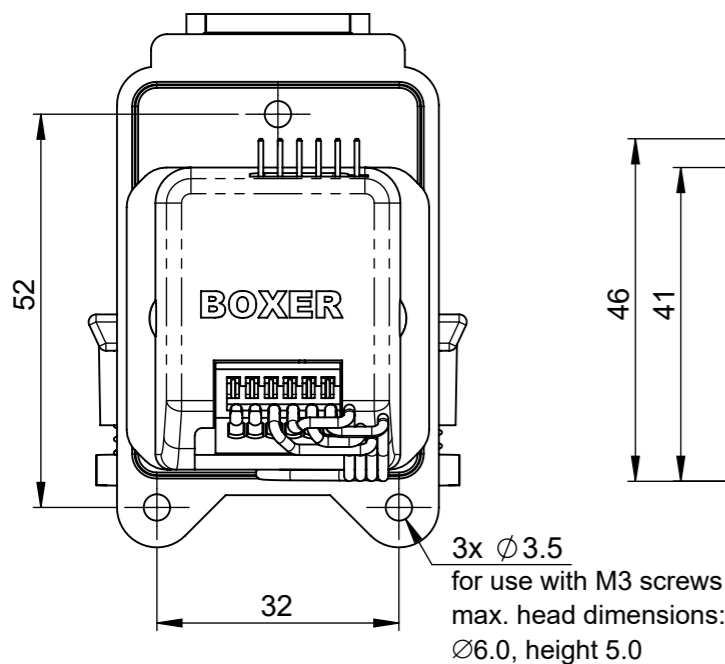
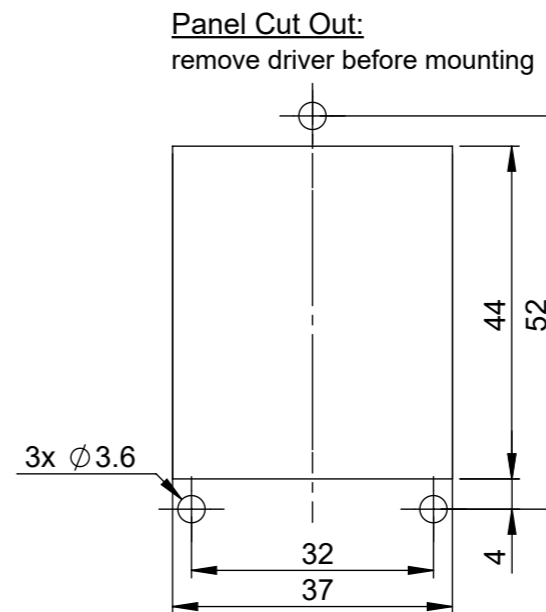


Pico 1.4 Controller Header Pin Out	
1	GND Output
2	Step Input
3	Speed Input 0 to 5V or 0 to 100% PWM
4	Direction Input GND = CW, 5V/open = CCW
5	Enable / Disable Input GND = Disable, 5V/open = Enable
6	5V Output



Pico 1.4 Controller Header 2.54 pitch
Arrow indicates pin 1



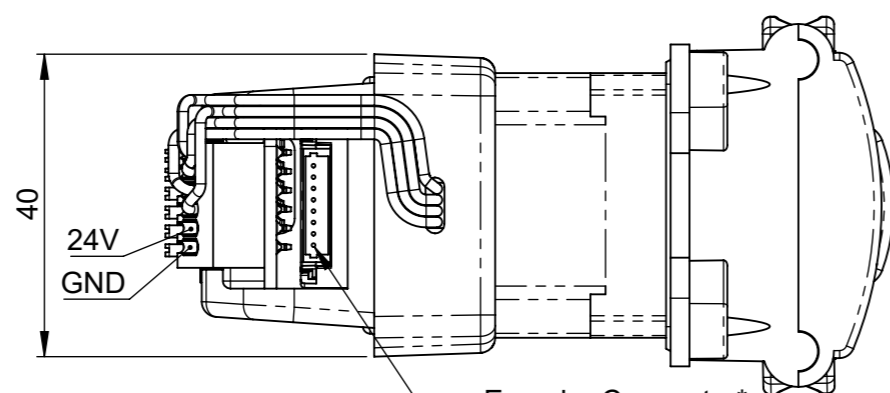
Part Number Explanation:
9 8 [X] [X] . 7 [X] 0

driver type
0: none
6: Pico 1.4

sensor type
0: none
1: speed sensor
2: encoder

number of rollers
3: 3 rollers
4: 4 rollers
6: 6 rollers

Encoder Pin Out	
1	Supply 5VDC
2	Output A
3	nc
4	Output B
5	nc
6	Output Z
7	nc
8	GND



Encoder Connector*
JST, S8B-ZR-SM4A-TF
Arrow indicates pin 1

* 300mm encoder connection cable to open leads supplied with each pump

DIMENSIONS STATED IN MM

BOXER					Surface Quality	Default Tolerances	Material, Colour	
Marktplatz 9 • 87724 Ottobeuren • Germany						ISO 2768-mK	---	
Rev.	Date (D.M.Y.)	CRE	CHE	APP	Part Number	Part Name		Format
04					9862.7[X]0	9QX with driver and encoder		A3
03					Tool Number	Project		Scale
02					---	9K		1:1
01								Sheet
00	13.06.2024	RZe	SCo	SSp	File Name: 98xx.730_9QX_CombiPlate			1 of 1