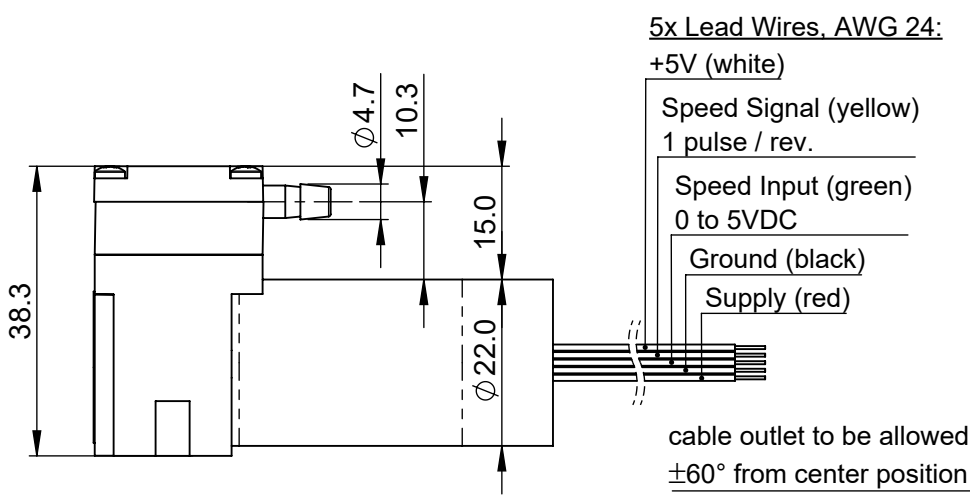
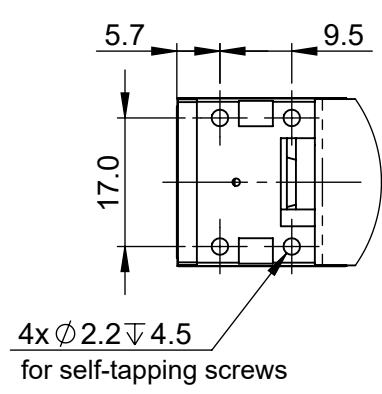


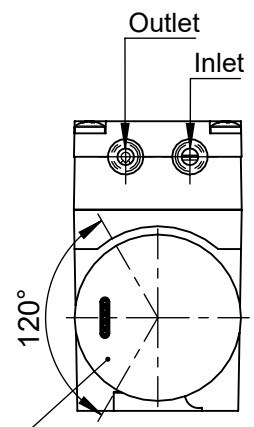
Bottom-View (Section):



5x Lead Wires, AWG 24:

- +5V (white)
- Speed Signal (yellow)
1 pulse / rev.
- Speed Input (green)
0 to 5VDC
- Ground (black)
- Supply (red)

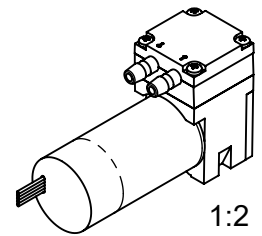
cable outlet to be allowed
±60° from center position



Part Number Explanation:

1 6 0 0 8 . 6 6 [X]

wetted parts
0: EPDM
5: FKM / Viton



DIMENSIONS STATED IN MM

BOXER					Surface Quality	Default Tolerances	Material, Colour	
					Marktplatz 9 • 87724 Ottobeuren • Germany			
Rev.	Date (D.M.Y.)	CRE	CHE	APP	Part Number	Part Name	Format	
4					16008.66[x]	16K Liquid BLDC	A4	
3					Tool Number	Project	Scale	
2					Assembly	16K	1:1	
1					File Name: 160xx.xxx_Assy		Sheet	
00	21.10.2024	RZe	SCo	SSp			3 of 4	

DISCLAIMER: ALL PRODUCT SPECIFICATIONS AND DATA ARE SUBJECT TO CHANGE WITHOUT NOTICE. BOXER GMBH, ITS EMPLOYEES AND ALL PERSONS ACTING ON THEIR BEHALF, DISCLAIM ANY AND ALL LIABILITY FOR ANY ERRORS, INACCURACIES OR INCOMPLETENESS CONTAINED IN ANY DATASHEET OR ANY OTHER DISCLOSURE RELATED TO ANY PRODUCT. THE CUSTOMER IS RESPONSIBLE TO VALIDATE THAT THE PRODUCT WITH THE PROPERTIES DESCRIBED IN ITS SPECIFICATION IS SUITABLE FOR USE IN A PARTICULAR APPLICATION. PARAMETERS PROVIDED IN DATASHEET AND/OR SPECIFICATION MAY VARY IN DIFFERENT APPLICATIONS AND PERFORMANCE MAY VARY OVER TIME. ALL OPERATING PARAMETERS MUST BE VALIDATED FOR EACH CUSTOMER APPLICATION BY CUSTOMERS' TECHNICAL EXPERTS. PRODUCT SPECIFICATION DOES NOT EXPAND OR MODIFY BOXER GMBH TERMS & CONDITIONS OF PURCHASE, INCLUDING BUT NOT LIMITED TO THE WARRANTY EXPRESSED WITHIN. NO LICENSE, EXPRESS OR IMPLIED, BY ESTOPPEL OR OTHERWISE, TO ANY INTELLECTUAL PROPERTY RIGHTS IS GRANTED BY THIS DOCUMENT OR BY ANY CONDUCT OF BOXER GMBH.